

型号：SLS6N60

N-Channel Hannel MOSFET TO-252 Plastic Package.

### 主要特性/Features

6A, 600V,  $R_{DS(ON)MAX}=1.66\Omega@V_{GS}=10V/1A$

Low gate charge

Low  $C_{iss}$

Fast switching

100% avalanche tested

Improved dv/dt capability

### 应用/Application

Server and telecom power supplies

Switch mode power supplies (SMPS)

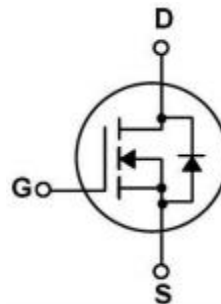
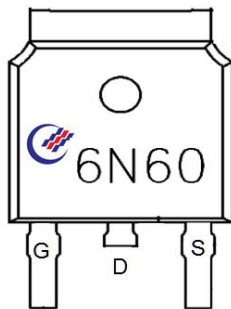
Power factor correction power supplies (PFC)

Lighting

High-intensity discharge (HID)

Fluorescent ballast lighting

### 印字/MARKING等效电路/Equivalent Circuit



### 极限参数/Absolute Maximum Ratings ( $T_c=25^\circ\text{C}$ unless otherwise noted)

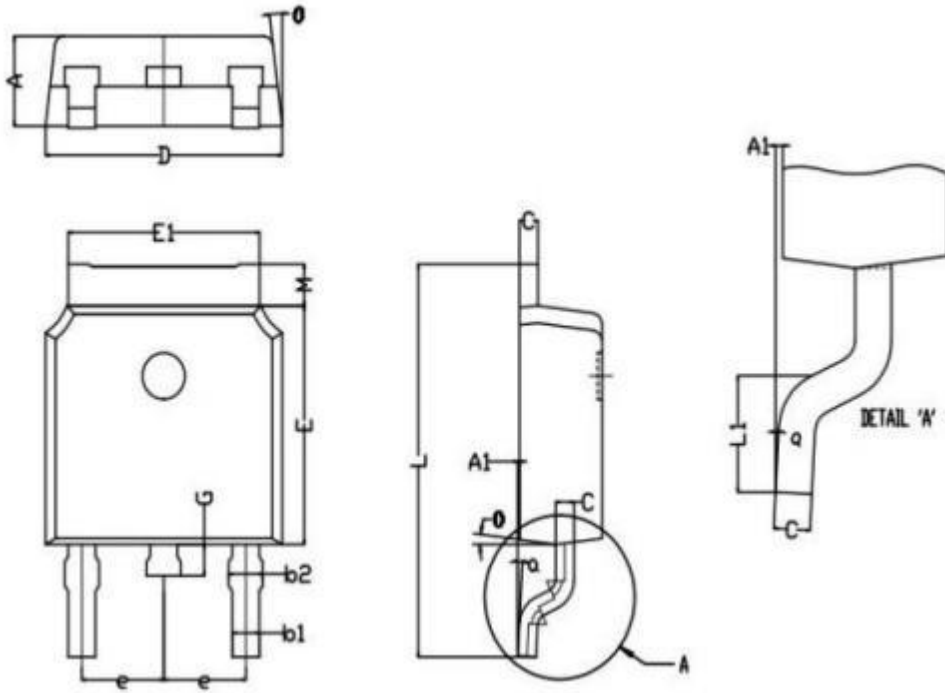
Parameter	Symbol	LIMIT	UNIT
Drain-Source Voltage	$V_{DSS}$	600	V
Gate-Source Voltage	$V_{GSS}$	$\pm 30$	
Continuous Drain Current	$I_D$	6	A
Pulsed Drain Current (Note 1)	$I_{DM}$	22	
Single Pulse Avalanche Energy (Note 2)	$E_{AS}$	300	mJ
Reverse Diode dv/dt (Note 3)	dv/dt	15	V/ns
Operating Junction and Storage Temperature Range	$T_J, T_{STG}$	-55 to +150	$^\circ\text{C}$
Maximum lead temperature for soldering purposes, 1/8" from case for 5 seconds	$T_L$	300	$^\circ\text{C}$

**电性能参数/Electrical Characteristics (TA=25°C unless otherwise noted)**

Parameter	Description	Min.	Typ.	Max.	Test Conditions	Unit
V(BR)DSS	Drain-Source Breakdown Voltage	600	--	--	V <sub>GS</sub> = 0V, I <sub>D</sub> = 250μA	V
RDS(on)	Static Drain-Source On Resistance	--	--	1.66	V <sub>GS</sub> = 10V, I <sub>D</sub> = 1A	Ω
VGS(th)	Gate Threshold Voltage	2.5	3.5	4.5	V <sub>DS</sub> = V <sub>GS</sub> , I <sub>D</sub> = 250μA	V
IDSS	Zero Gate Voltage Drain Current	--	--	1	V <sub>DS</sub> = 600V, V <sub>GS</sub> = 0V	μA
ISGS	Gate-Source Leakage Reverse	--	--	-100	V <sub>GS</sub> = -30V V <sub>DS</sub> = 0V	nA
IGSS	Gate-Source Leakage Current	--	--	100	V <sub>GS</sub> = 30V V <sub>DS</sub> = 0V	nA
VSD	Diode Forward Voltage	--	--	1.4	Ta=25°C, Is=1A, VGS=0V	V
T <sub>j</sub>	Operating Junction and Storage Temperature Range	-55°C to 150 °C Max.				°C
T <sub>STG</sub>						



成品外观尺寸/TO252-2L Package Information



Symbol	Dim in mm		
	Min	Nor	Max
A	2.25	2.30	2.35
L1	2.90	3.00	3.10
b1	0.71	0.76	0.81
b2	0.91	0.96	1.01
C	0.46	0.51	0.56
D	6.55	6.60	6.65
e	2.29 (BSC)		
E	6.05	6.10	6.15
E1	5.23	5.33	5.43
L	9.84	10.04	10.24
A1	0.00	0.05	0.10
M	1.01	1.06	1.11
G	0.70	0.80	0.90
Q	0°	5°	10°
Q	0°	3°	6°